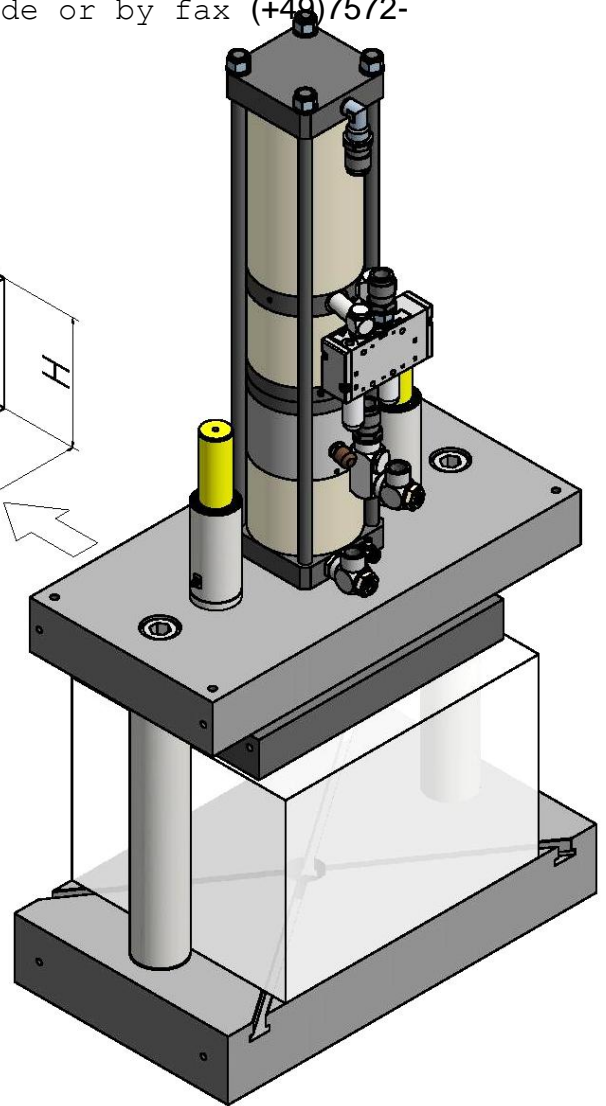
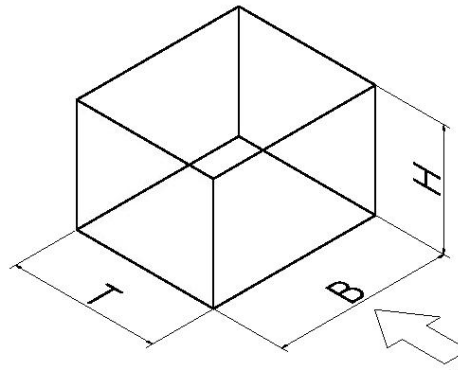


Dimensions of available space – 2S2k

Please send by mail to info@farger-joosten.de or by fax (+49)7572-764230



Measurements		(mm)
Depth	T	
Width of table top	B	
Height	H	

Cylinder's parameter		
Requested force	Nm	
Total stroke	mm	
Power stroke	mm	
Air pressure	bar	

Company data	
Company name	
Street	
Post code / City	
Contact	
Tel.	
eMail	

