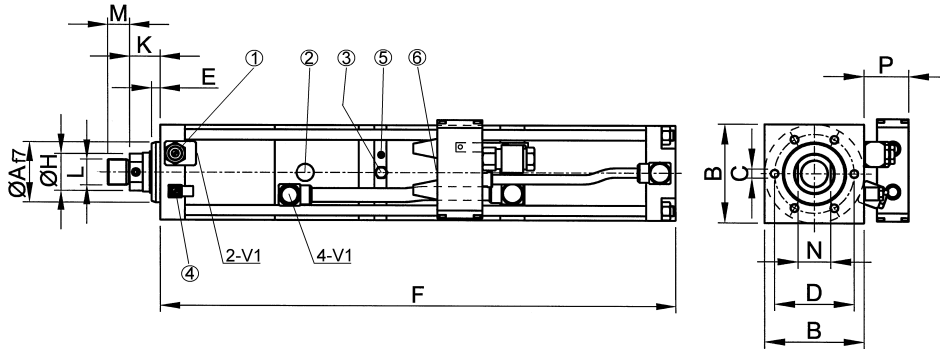
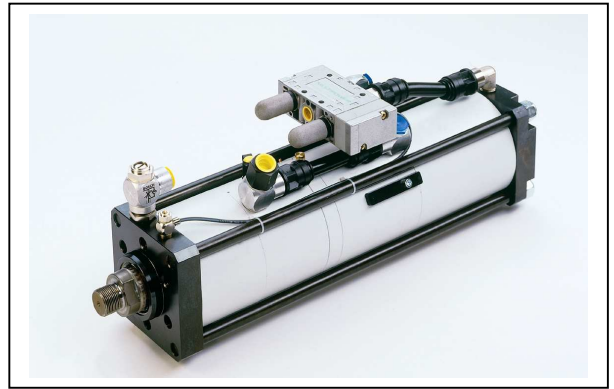


MULTIPOWER

type: **G**
 size: **10 kN (rated force)**
 power stroke: **up to 12 mm (1/2")**



- ① flow control throttle D1
- ② high pressure connection
- ③ oil refill connection
- ④ throttle D2
- ⑤ „begin power stroke”
- ⑥ air connection at valve V2

stroke independent values in mm:

Af7	B	C	D	E	Ø H	K	L	M	N	P
30	50	6 x M6x11	40	10	16	24	M12x1,5	15	14	45

stroke dependent total length – measurement F:

total stroke length in mm					
32	50	100	150	200	250
F	F	F	F	F	F

10-bar-version (100 % of rated force at 10 bar air pressure)	power stroke length in mm	3							
		6	434	470	589	708	827	946	
		8							
		10							
		12	470	506	625	744	863	982	

8-bar-version (100 % of rated force at 8 bar air pressure)	power stroke length in mm	3						
		6						
		8						
		10						
		12						

6-bar-version (100 % of rated force at 6 bar air pressure)	power stroke length in mm	3						
		6						
		8						
		10						
		12						

Other stroke lengths on request.