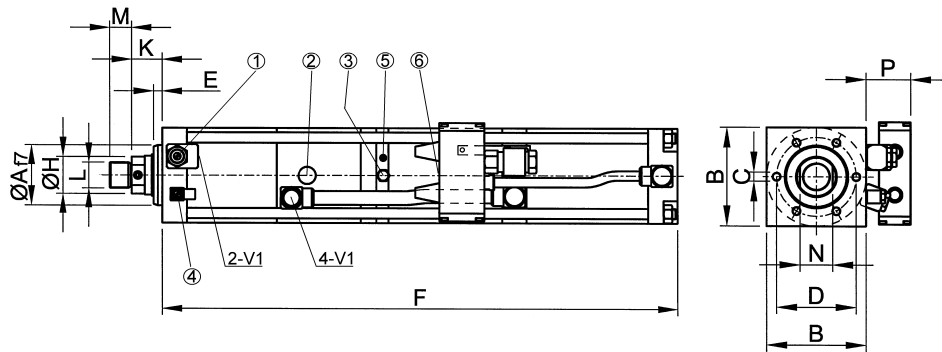
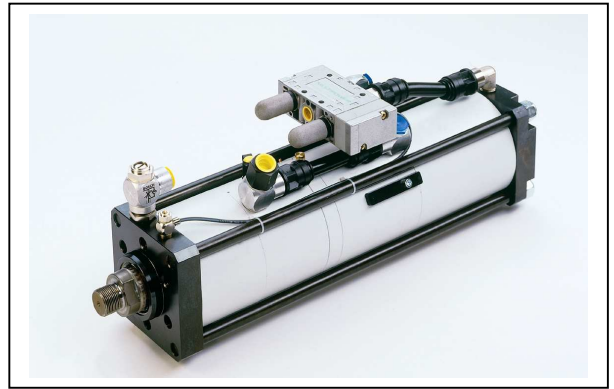


MULTIPOWER

type: **G**
 size: **150 kN (rated force)**
 power stroke: **up to 12 mm (1/2")**



- ① flow control throttle D1
- ② high pressure connection
- ③ oil refill connection
- ④ throttle D2
- ⑤ „begin power stroke“
- ⑥ air connection at valve V2

stroke independent values in mm:

Af7	B	C	D	E	Ø H	K	L	M	N	P
75	135	6 x M16x25	100	15	50	36	M30x2	25	41	75

stroke dependent total length – measurement F:

total stroke length in mm					
32	50	100	150	200	250
F	F	F	F	F	F

10-bar-version (100 % of rated force at 10 bar air pressure)	power stroke length in mm	3	528	569	707	845	983	1121
		6	564	605	743	881	1019	1157
		8	588	629	767	905	1043	1181
		10	612	653	791	929	1067	1205
		12	636	677	815	953	1091	1229

8-bar-version (100 % of rated force at 8 bar air pressure)	power stroke length in mm	3	538	589	731	873	1015	1157
		6	583	634	776	918	1060	1202
		8						
		10						
		12	673	724	866	1008	1150	1292

6-bar-version (100 % of rated force at 6 bar air pressure)	power stroke length in mm	3	558	610	759	908	1057	1206
		6	614	666	815	964	1113	1262
		8	645	704	853	1002	1151	1300
		10	682	741	890	1039	1188	1337
		12	737	778	927	1076	1225	1374

Other stroke lengths on request.

Subject to technical modifications without notice (version 08/2004)