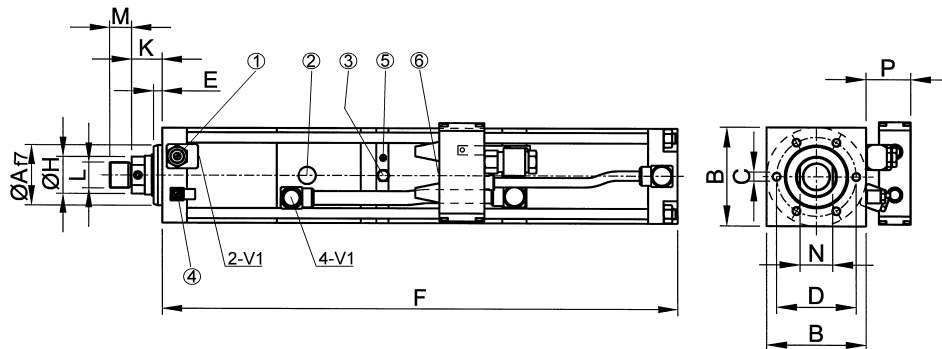
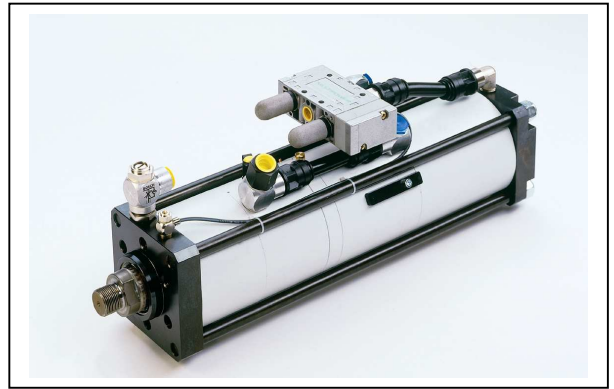


MULTIPOWER

type: **G**
 size: **300 kN (rated force)**
 power stroke: **up to 12 mm (1/2")**



- ① flow control throttle D1
- ② high pressure connection
- ③ oil refill connection
- ④ throttle D2
- ⑤ „begin power stroke“
- ⑥ air connection at valve V2

stroke independent values in mm:

Af7	B	C	D	E	Ø H	K	L	M	N	P
100	175	6 x M20x30	132	13	56	42	M39x2	35	50	85

stroke dependent total length – measurement F:

total stroke length in mm					
32	50	100	150	200	250
F	F	F	F	F	F

10-bar-version (100 % of rated force at 10 bar air pressure)	power stroke length in mm	3	682	710	859	1003	1152	1296
		6	724	752	901	1045	1194	1338
		8	755	783	932	1076	1225	1369
		10	786	814	963	1107	1256	1400
		12	817	845	994	1138	1287	1431

8-bar-version (100 % of rated force at 8 bar air pressure)	power stroke length in mm	3	700	738	893	1043	1198	1348	
		6	760	798	953	1103	1258	1408	
		8							
		10							
		12	880	918	1073	1223	1378	1528	

6-bar-version (100 % of rated force at 6 bar air pressure)	power stroke length in mm	3	720	761	922	1078	1239	1395	
		6	793	834	995	1151	1312	1468	
		8							
		10							
		12	1005	1048	1141	1297	1458	1614	

Other stroke lengths on request.

Subject to technical modifications without notice (version 08/2004)