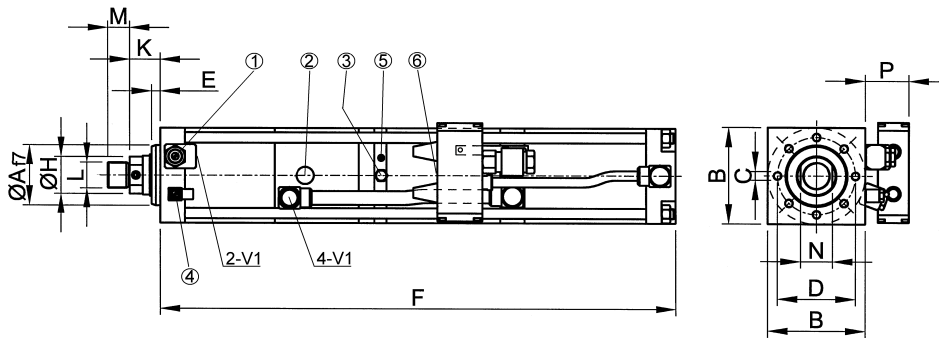
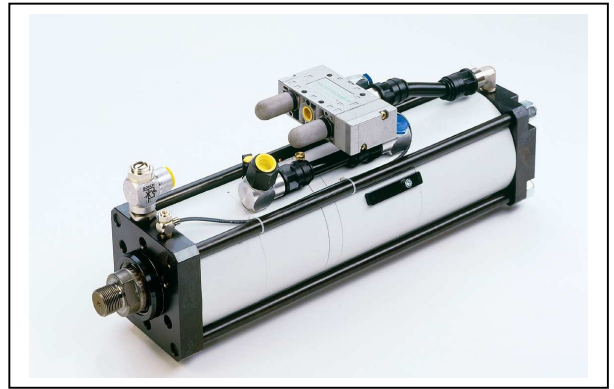


# MULTIPOWER

type: **G**  
 size: **500 kN (rated force)**  
 power stroke: **up to 12 mm (1/2")**



- ① flow control throttle D1
- ② high pressure connection
- ③ oil refill connection
- ④ throttle D2
- ⑤ „begin power stroke“
- ⑥ oil level indicator
- ⑦ air connection at valve V2

## stroke independent values in mm:

Af7	B	C	D	E	Ø H	K	L	M	N	P
115	200	8 x M20x30	150	12	63	39	M42x2	40	55	85

## stroke dependent total length – measurement F:

total stroke length in mm					
32	50	100	150	200	250
F	F	F	F	F	F

<b>10-bar-version</b> (100 % of rated force at 10 bar air pressure)	power stroke length in mm	3	775	835	928	1080	1235	1390
		6	829	889	982	1134	1289	1444
		8	869	929	1022	1174	1329	1484
		10	909	969	1062	1214	1369	1524
		12	949	1009	1102	1254	1409	1564

<b>8-bar-version</b> (100 % of rated force at 8 bar air pressure)	power stroke length in mm	3	800	863	961	1121	1284	1447	
		6	874	937	1035	1195	1358	1521	
		8							
		10							
		12	1041	1084	1182	1342	1505	1668	

<b>6-bar-version</b> (100 % of rated force at 6 bar air pressure)	power stroke length in mm	3	839	906	1009	1178	1350	1522	
		6	934	1001	1104	1273	1445	1617	
		8							
		10	1116	1163	1230	1399	1571	1743	
		12	1244	1291	1354	1463	1635	1807	

**Other stroke lengths on request.**

Subject to technical modifications without notice (version 08/2004)