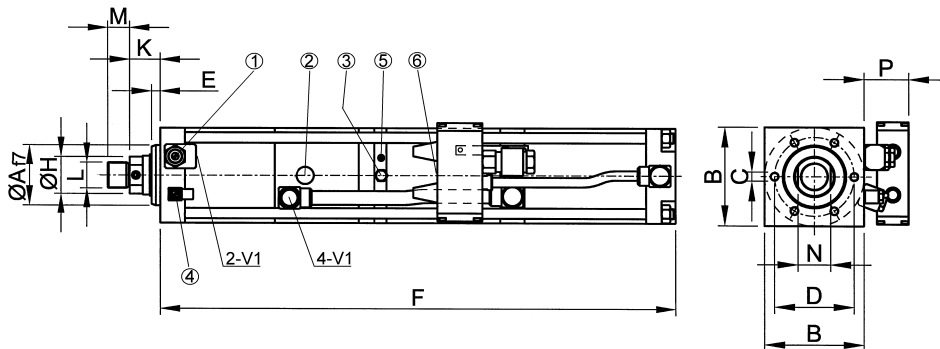
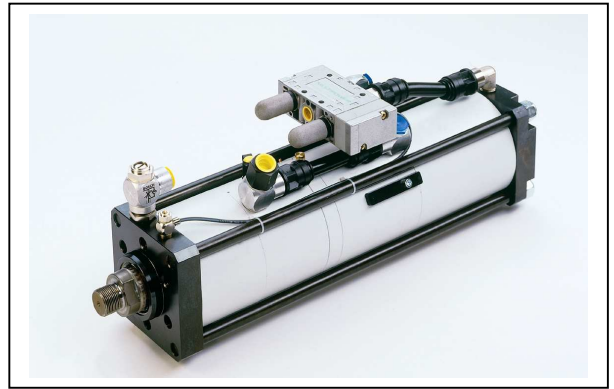


MULTIPOWER

type: **G**
 size: **60 kN (rated force)**
 power stroke: **up to 12 mm (1/2")**



- ① flow control throttle D1
- ② high pressure connection
- ③ oil refill connection
- ④ throttle D2
- ⑤ „begin power stroke“
- ⑥ air connection at valve V2

stroke independent values in mm:

Af7	B	C	D	E	Ø H	K	L	M	N	P
60	100	6 x M10x16	78	10	35	28,5	M24x2	20	30	60

stroke dependent total length – measurement F:

total stroke length in mm					
32	50	100	150	200	250
F	F	F	F	F	F

10-bar-version (100 % of rated force at 10 bar air pressure)	power stroke length in mm	3	498	545	677	809	941	1073
		6	528	575	707	839	971	1103
		8	548	595	727	859	991	1123
		10	568	615	747	879	1011	1143
		12	588	635	767	899	1031	1163

8-bar-version (100 % of rated force at 8 bar air pressure)	power stroke length in mm	3	517	566	704	842	980	1118
		6	559	608	746	884	1022	1160
		8	587	636	774	912	1050	1188
		10	615	664	802	940	1078	1216
		12	643	692	830	968	1106	1244

6-bar-version (100 % of rated force at 6 bar air pressure)	power stroke length in mm	3	547	600	748	896	1044	1192
		6	607	660	808	956	1104	1252
		8	647	700	848	996	1144	1292
		10	687	740	888	1036	1184	1332
		12		795	928	1076	1224	1372

Other stroke lengths on request.

Subject to technical modifications without notice (version 11/2004)