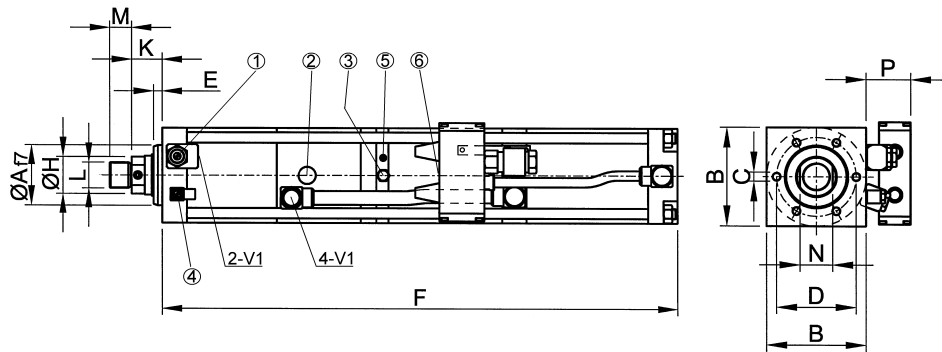
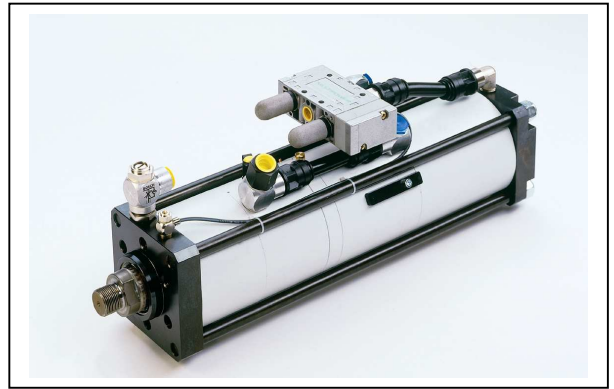


MULTIPOWER

type: **G**
 size: **80 kN (rated force)**
 power stroke: **up to 12 mm (1/2")**



- ① flow control throttle D1
- ② high pressure connection
- ③ oil refill connection
- ④ throttle D2
- ⑤ „begin power stroke“
- ⑥ air connection at valve V2

stroke independent values in mm:

Af7	B	C	D	E	Ø H	K	L	M	N	P
70	110	6 x M10x16	88	10	45	35	M30x2	25	36	60

stroke dependent total length – measurement F:

total stroke length in mm					
32	50	100	150	200	250
F	F	F	F	F	F

10-bar-version (100 % of rated force at 10 bar air pressure)	power stroke length in mm	3	495	536	668	800	932	1064
		6	523	564	696	828	960	1092
		8	542	583	715	847	979	1111
		10	561	602	734	866	998	1130
		12	580	621	753	885	1017	1149

8-bar-version (100 % of rated force at 8 bar air pressure)	power stroke length in mm	3	513	554	691	828	965	1102	
		6	550	591	728	865	1002	1139	
		8							
		10	600	641	778	915	1052	1189	
		12	625	666	803	940	1077	1214	

6-bar-version (100 % of rated force at 6 bar air pressure)	power stroke length in mm	3	528	579	724	869	1014	1159	
		6	579	630	775	920	1065	1210	
		8	614	665	810	955	1100	1245	
		10							
		12	681	732	877	1022	1167	1312	

Other stroke lengths on request.

Subject to technical modifications without notice (version 08/2004)

08/2004