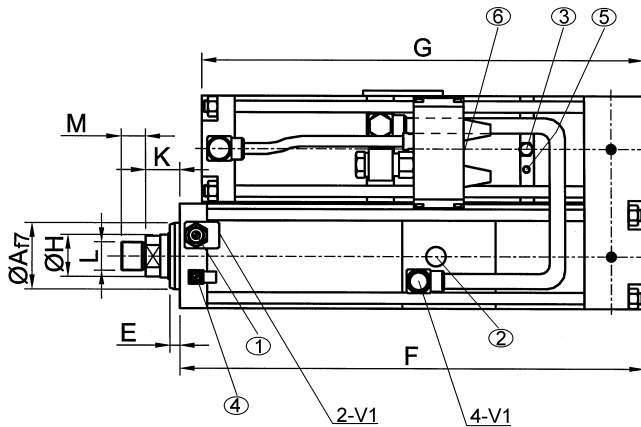
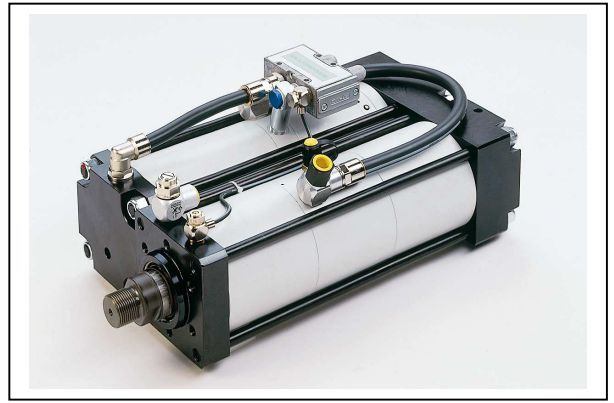


MULTIPOWER

type: U
 size: 20 kN (rated force)
 power stroke: up to 12 mm (1/2")



- ① flow control throttle D1
- ② high pressure connection
- ③ oil refill connection
- ④ throttle D2
- ⑤ „begin power stroke“
- ⑥ oil level indicator
- ⑦ air connection at valve V2

stroke independent values in mm:

Af7	B(1)	B2	C	D	E	Ø H	K	L	M	N	P	Q
40	70	-	6 x M8x12	54	10	20	26	M16x1,5	15	17	45	142

stroke dependent total length – measurement F:

total stroke length in mm															
32		50		100		150		200		250		300		350	
F	G	F	G	F	G	F	G	F	G	F	G	F	G	F	G
32	32	50	50	100	100	150	150	200	200	250	250	300	300	350	350

Version	Power Stroke Length in mm	Total Stroke Length in mm																										
		3	6	8	10	12	3	6	8	10	12	3	6	8	10	12	3	6	8	10	12	3	6	8	10	12		
10-bar-version	3	265	262	270	267	304	291	404	315	504	339	604	363	704	387													
	6	307	304	312	309	336	333	404	357	504	381	604	405	704	429													
	8																											
	10	363	360	368	365	392	389	416	413	504	437	604	461	704	485													
	12	391	388	396	393	420	417	444	441	504	465	604	489	704	513													
8-bar-version	3	288	285	293	290	319	316	404	342	504	368	604	394	704	420													
	6	336	333	341	338	367	364	404	390	504	416	604	442	704	468													
	8	368	365	373	370	399	396	425	422	504	448	604	474	704	500													
	10	400	397	405	402	431	428	457	454	504	480	604	506	704	532													
	12	432	429	437	434	463	460	489	486	515	512	604	538	704	564													
6-bar-version	3	336	333	341	338	371	368	404	398	504	428	604	458	704	488													
	6	396	393	401	398	431	428	461	458	504	488	604	518	704	548													
	8																											
	10	476	473	481	478	511	508	541	538	571	568	604	598	704	628													
	12	536	533	541	538	571	568	601	598	631	628	661	658	704	688													

Other stroke lengths on request.

Subject to technical modifications without notice (version 08/2004)