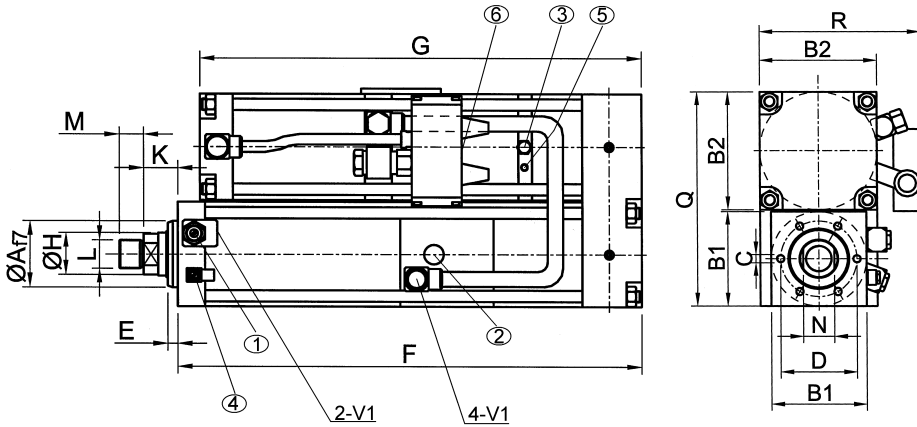
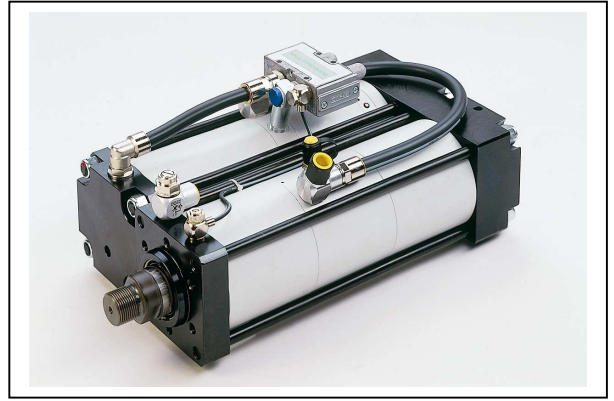


MULTIPOWER

type: U
 size: 20 kN (rated force)
 power stroke: up to 28 mm (1")



- ① flow control throttle D1
- ② high pressure connection
- ③ oil refill connection
- ④ throttle D2
- ⑤ „begin power stroke”
- ⑥ air connection at valve V2

stroke independent values in mm:

Af7	B(1)	B2	C	D	E	Ø H	K	L	M	N	R	Q
40	70	85	6 x M8x12	54	10	20	26	M16x1,5	15	17	130	162

stroke dependent total length – measurement F:

total stroke length in mm															
32		50		100		150		200		250		300		350	
F	G	F	G	F	G	F	G	F	G	F	G	F	G	F	G

version	POWER STROKE LENGTH in mm	total stroke length in mm																										
		20	22	24	26	28	20	22	24	26	28	20	22	24	26	28	20	22	24	26	28	20	22	24	26	28		
10-bar-version	20						432	429	450	447	468	465	519	483	619	501	719	519										
	22																											
	24						472	469	490	487	508	505	526	523	619	541	719	559										
	26																											
	28																											
8-bar-version	20						540	537	558	555	576	573	594	591	619	609	719	627										
	22																											
	24						596	593	614	611	632	629	650	647	668	665	719	683										
	26																											
	28																											
6-bar-version	20						628	625	646	643	664	661	682	679	700	697	719	715										
	22																											
	24						708	705	726	723	744	741	762	759	780	777	798	795										
	26																											
	28																											

Other stroke lengths on request.

Subject to technical modifications without notice (version 08/2004)