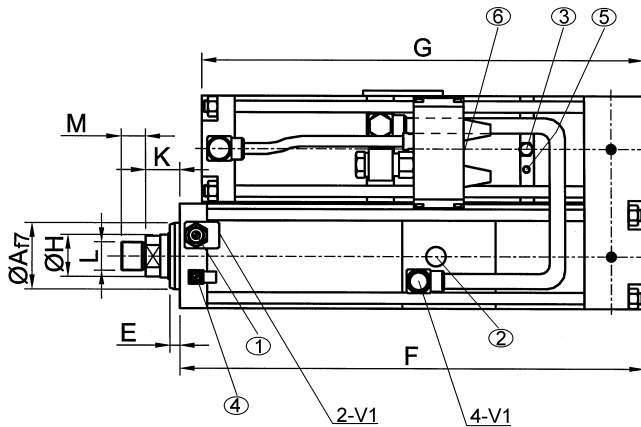
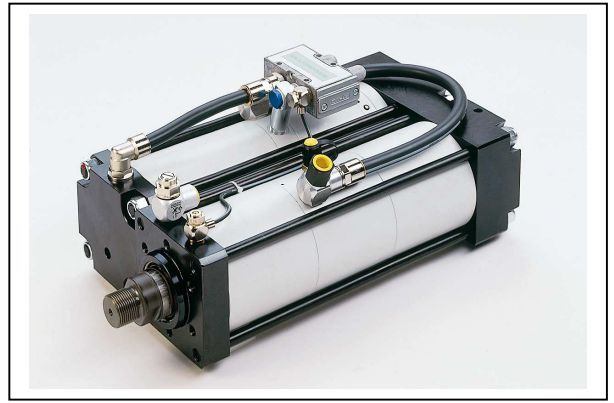


MULTIPOWER

type: U
 size: 40 kN (rated force)
 power stroke: up to 12 mm (1/2")



- ① flow control throttle D1
- ② high pressure connection
- ③ oil refill connection
- ④ throttle D2
- ⑤ „begin power stroke“
- ⑥ air connection at valve V2

stroke independent values in mm:

Af7	B(1)	B2	C	D	E	Ø H	K	L	M	N	P	Q
50	85	-	6 x M8x15	64	10	30	28,5	M22x2	20	24	45	172

stroke dependent total length – measurement F:

total stroke length in mm															
32		50		100		150		200		250		300		350	
F	G	F	G	F	G	F	G	F	G	F	G	F	G	F	G
32	50	100	150	200	250	300	350								

version	POWER STROKE LENGTH in mm	total stroke length in mm															
		3	6	8	10	12	3	6	8	10	12	3	6	8	10	12	
10-bar-version	3	326	323	331	328	365	362	432	397	532	432	632	467	732	502		
	6	385	382	390	387	425	422	460	457	532	492	632	527	732	562		
	8	425	422	430	427	465	462	500	497	535	532	632	567	732	602		
	10	465	462	470	467	505	502	540	537	575	572	632	607	732	642		
	12	505	502	510	507	545	542	580	577	615	612	650	647	732	682		
8-bar-version	3	381	378	386	383	427	424	468	465	532	506	632	547	732	588		
	6	465	462	470	467	511	508	552	549	593	590	634	631	732	672		
	8																
	10	577	574	582	579	623	620	664	661	705	702	746	743	787	784		
	12	663	630	638	635	679	676	720	717	761	758	802	799	843	840		
6-bar-version	3	421	418	426	423	477	474	528	525	579	576	632	627	732	678		
	6	529	526	534	531	585	582	636	633	687	684	738	735	789	786		
	8																
	10	673	670	678	675	729	726	780	777	831	828	882	879	933	930		
	12	745	742	750	747	801	798	852	849	903	900	954	951	1005	1002		

Other stroke lengths on request.

Subject to technical modifications without notice (version 08/2004)