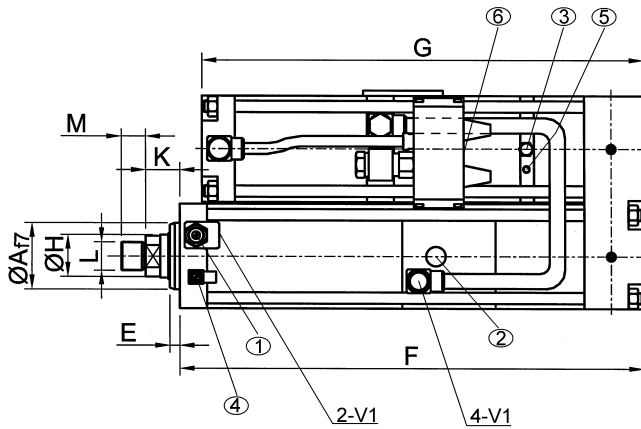
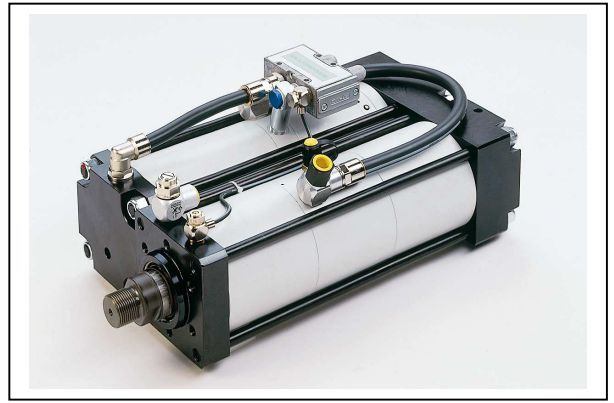


MULTIPOWER

type: U
 size: 40 kN (rated force)
 power stroke: up to 28 mm (1")



- ① flow control throttle D1
- ② high pressure connection
- ③ oil refill connection
- ④ throttle D2
- ⑤ „begin power stroke“
- ⑥ air connection at valve V2

stroke independent values in mm:

Af7	B(1)	B2	C	D	E	Ø H	K	L	M	N	R	Q
50	85	110	6 x M8x15	64	10	30	28,5	M22x2	20	24	170	197

stroke dependent total length – measurement F:

total stroke length in mm															
32		50		100		150		200		250		300		350	
F	G	F	G	F	G	F	G	F	G	F	G	F	G	F	G

version	POWER STROKE LENGTH in mm	total stroke length in mm																												
		20	22	24	26	28	20	22	24	26	28	20	22	24	26	28	20	22	24	26	28	20	22	24	26	28				
10-bar-version	20	474	471	474	471	491	488	508	505	532	522	632	539	732	556															
	22																													
	24	514	511	514	511	531	528	548	545	565	562	632	579	732	596															
	26																													
	28	554	551	554	551	571	568	588	585	605	602	632	619	732	636															
8-bar-version	20			550	547	569	566	588	585	607	604	632	623	732	642															
	22																													
	24			606	603	625	622	644	641	663	660	682	679	732	698															
	26																													
	28																													
6-bar-version	20			674	671	697	694	720	717	743	740	766	763	789	786															
	22																													
	24			754	751	777	774	800	797	823	820	846	843	869	866															
	26																													
	28																													

Other stroke lengths on request.

Subject to technical modifications without notice (version 08/2004)