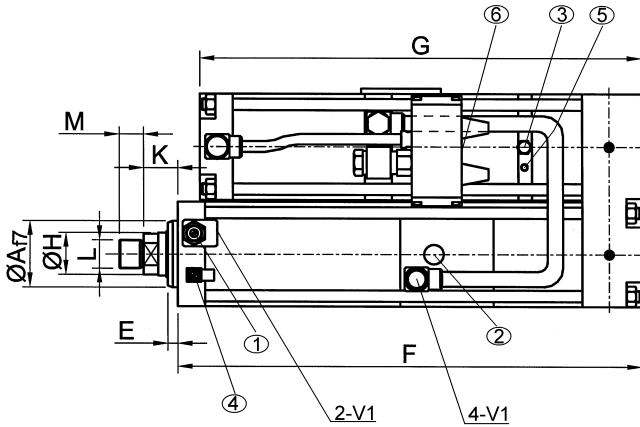
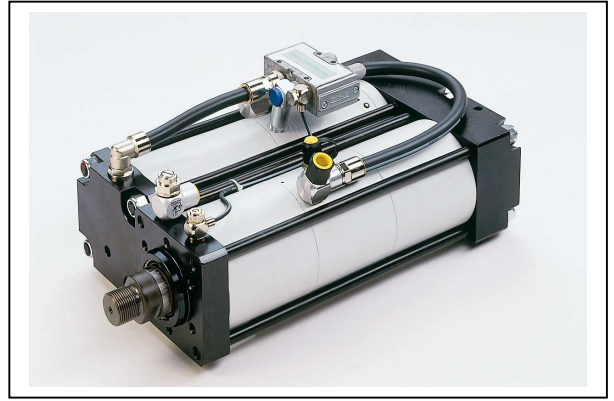


MULTIPOWER

type: U
 size: 80 kN (rated force)
 power stroke: up to 28 mm (1")



- ① flow control throttle D1
- ② high pressure connection
- ③ oil refill connection
- ④ throttle D2
- ⑤ „begin power stroke“
- ⑥ air connection at valve V2

stroke independent values in mm:

Af7	B(1)	B2	C	D	E	Ø H	K	L	M	N	R	Q
70	110	135	6 x M10x16	88	10	45	35	M30x2	25	36	210	248

stroke dependent total length – measurement F:

total stroke length in mm															
32		50		100		150		200		250		300		350	
F	G	F	G	F	G	F	G	F	G	F	G	F	G	F	G

version	POWER STROKE LENGTH in mm	total stroke length in mm															
		20	22	24	26	28	32	50	100	150	200	250	300	350	F	G	
10-bar-version	20	548	540	548	540	570	562	592	584	614	606	651	628	751	650	851	672
	22	574	566	574	566	596	588	618	610	640	632	662	654	751	676	851	698
	24	600	592	600	592	622	614	644	636	666	658	688	680	751	702	851	724
	26	626	618	626	618	648	640	670	662	692	684	714	706	751	728	851	750
	28	652	644	652	644	674	666	696	688	718	710	740	732	762	754	851	776
8-bar-version	20																
	22																
	24																
	26																
	28																
6-bar-version	20	720	712	720	712	750	742	780	772	810	802	840	832	870	862	900	892
	22	760	752	760	752	790	782	820	812	850	842	880	872	910	902	940	932
	24	800	792	800	792	830	822	860	852	890	882	920	912	950	942	980	972
	26																
	28																

Other stroke lengths on request.

Subject to technical modifications without notice (version 08/2004)